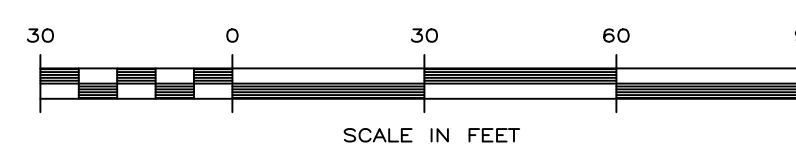
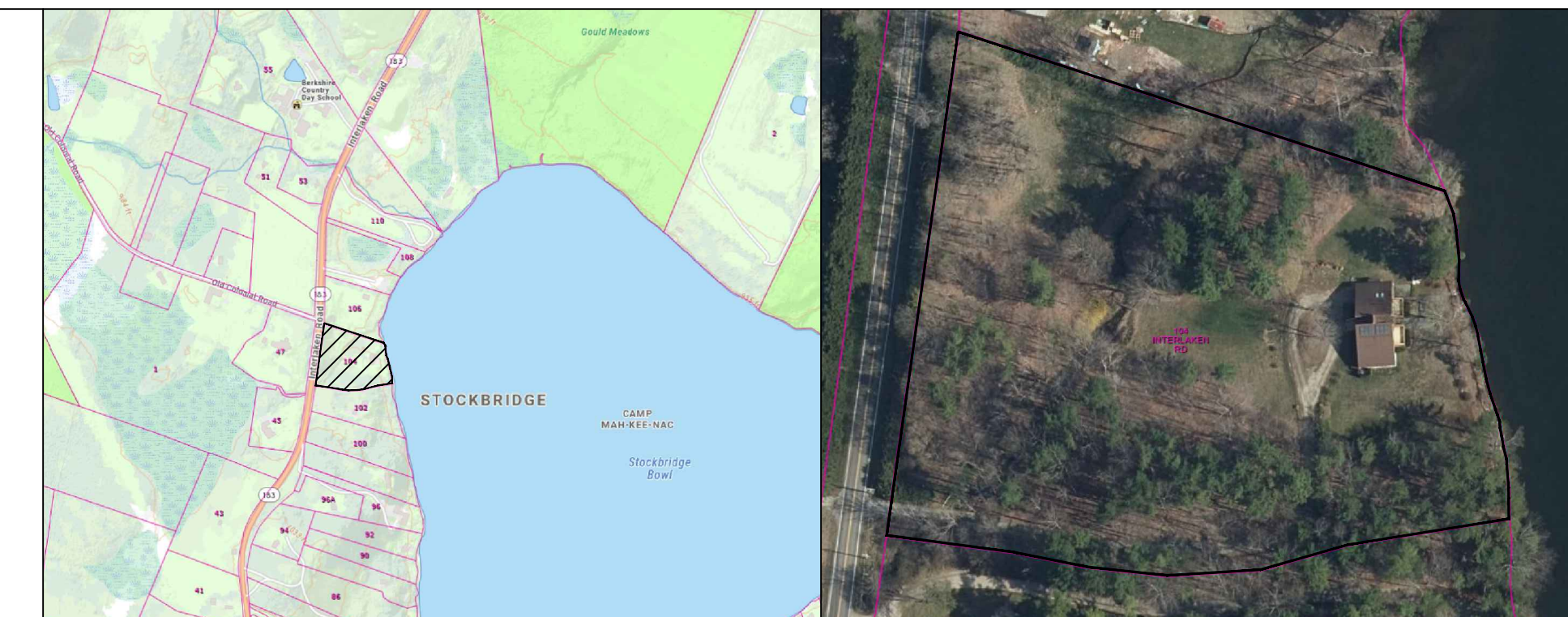


SITE PLAN

SCALE: 1" = 30'



INTENSITY REGULATIONS			
ZONE: R-4	REQUIRED	EXISTING	PROPOSED
LOT AREA	174,240	214,315 SF	214,315 SF
LOT FRONTAGE	300'	492'	492'
FRONT SETBACK	50'	414'	364'
SIDE SETBACK (N)	50'	107'	96'
SIDE SETBACK (S)	50'	160'	107'
REAR SETBACK	50'	50'	50'
LOT COVERAGE	10% MAX	1.87%	2.51%
IMPERVIOUS LAND COVERAGE IN LPOD	15%	7.6%	10.1%
HABITABLE AREA	20%	2.2%	3.0%



KEY MAP

LOCUS MAP

GENERAL NOTES:

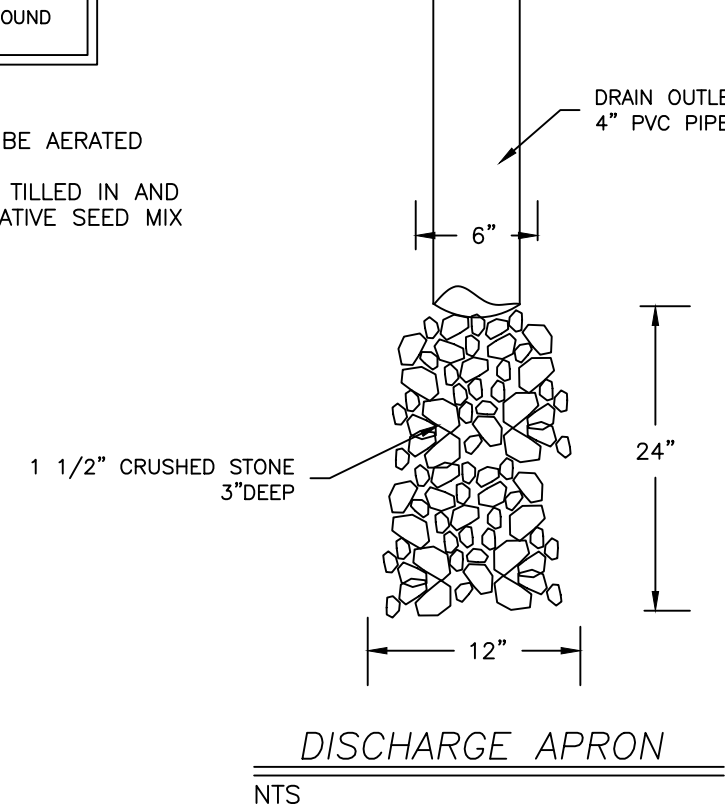
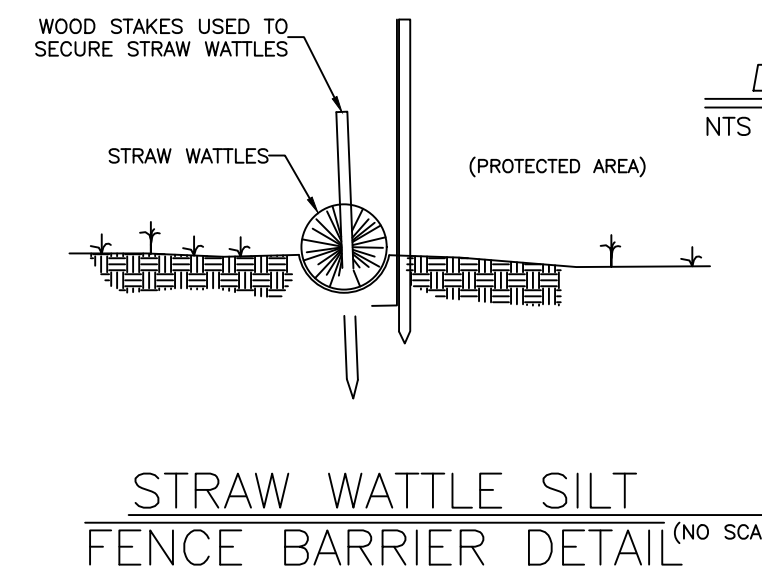
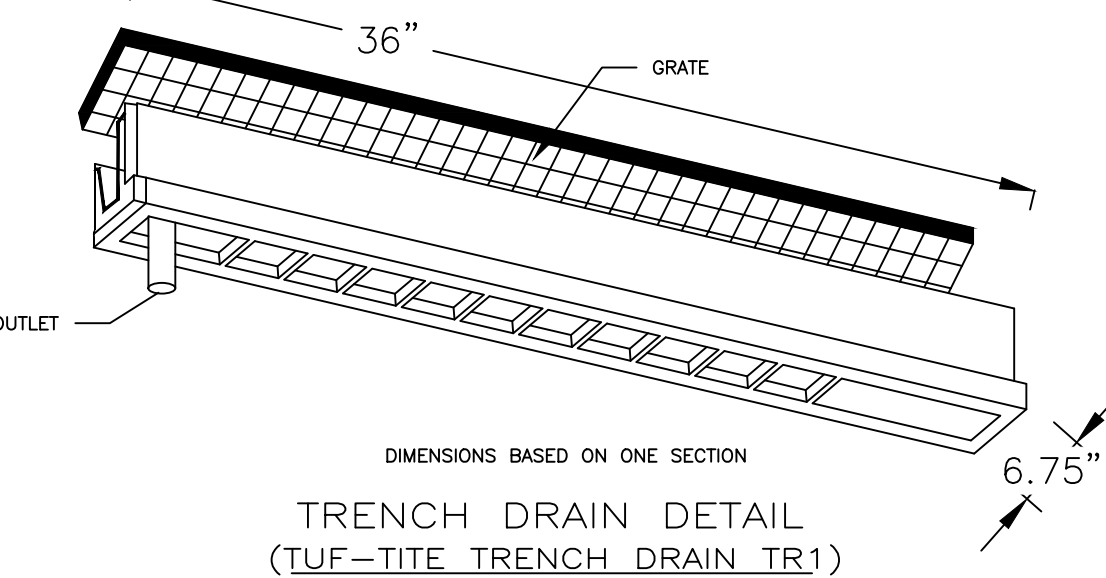
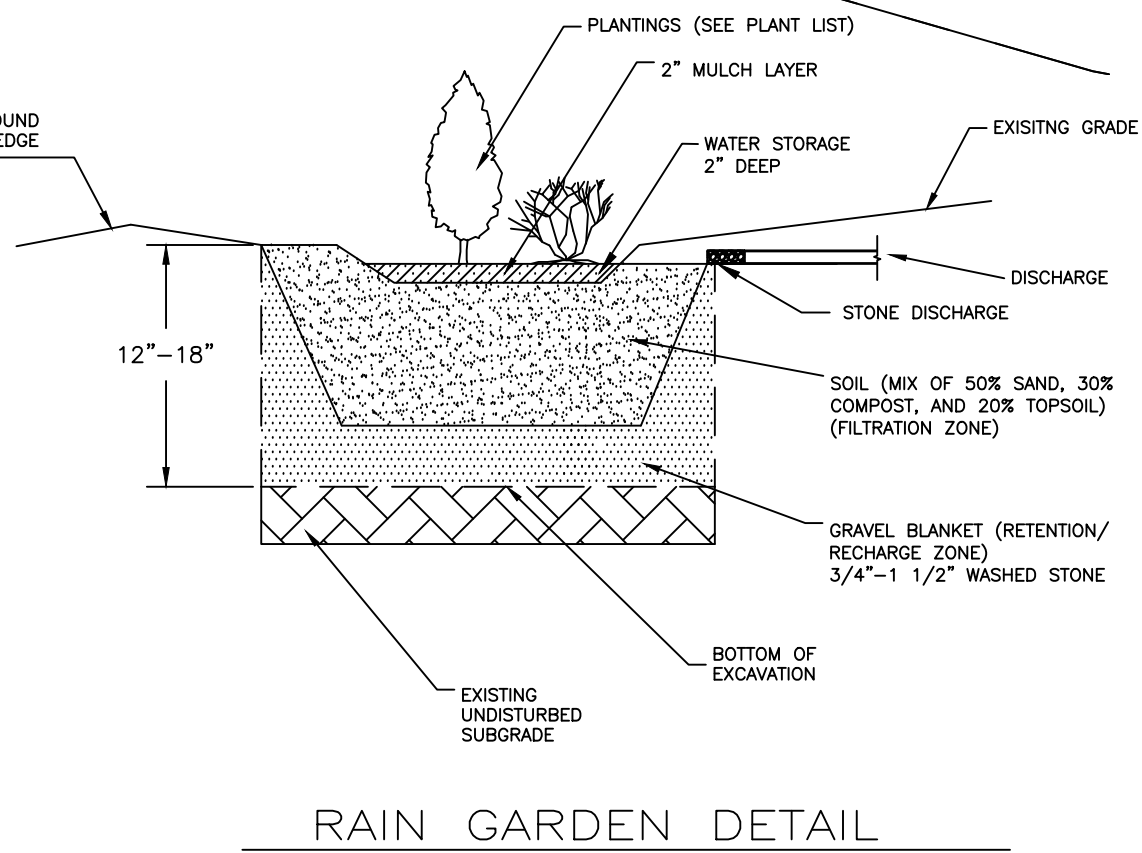
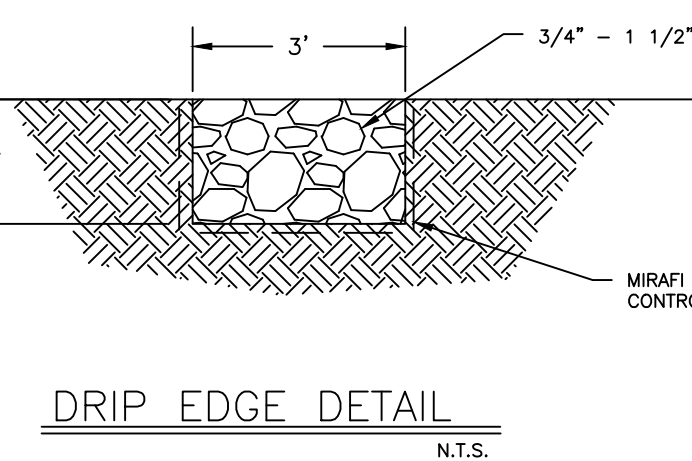
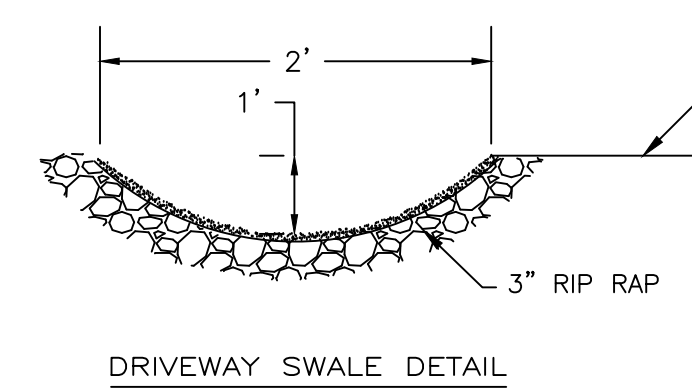
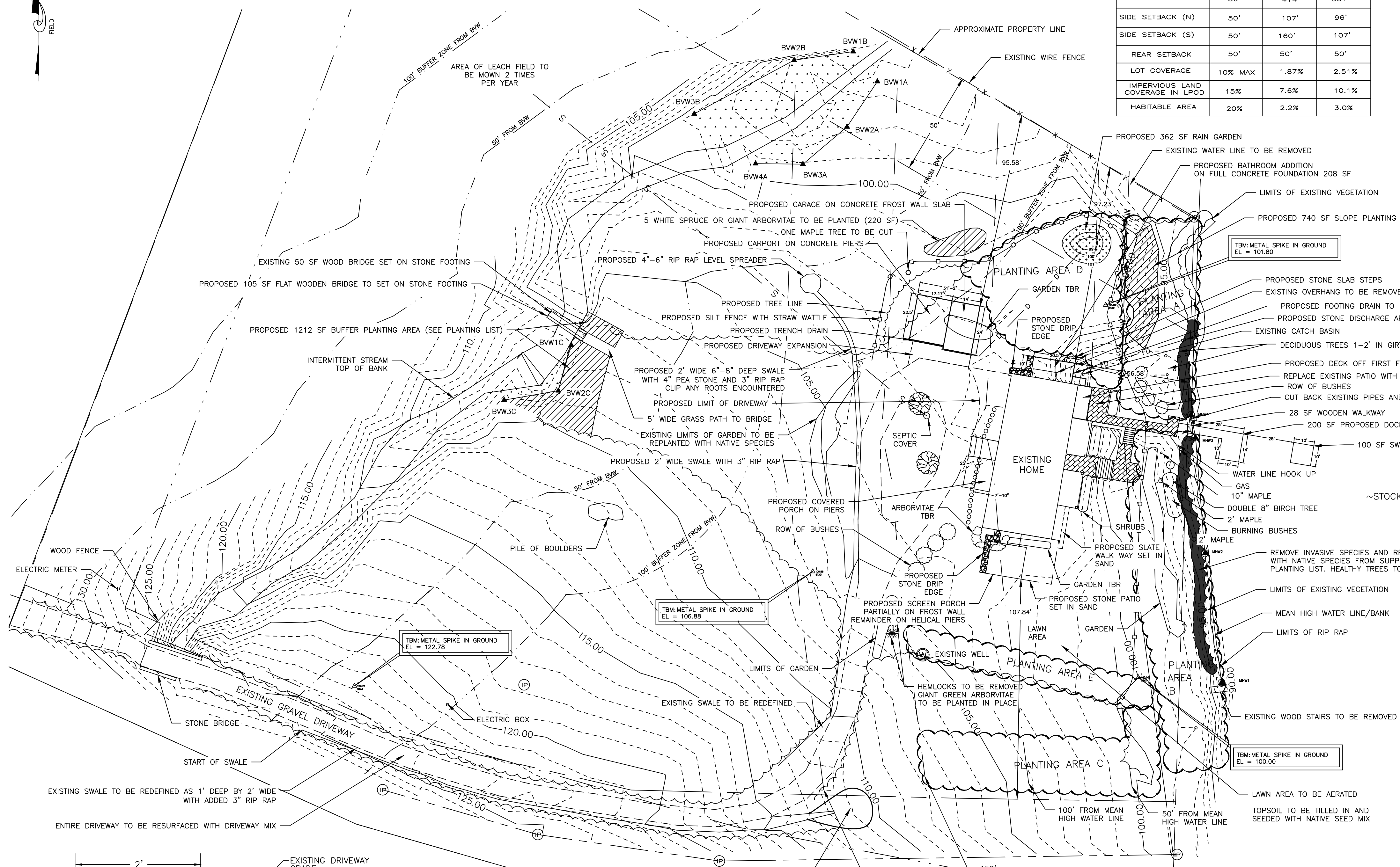
- CONTOUR INTERVAL IS 1' REFERENCED TO A LOCAL ARBITRARY DATUM.
- CONTRACTOR IS TO NOTIFY ENGINEER BEFORE PROCEEDING IF SUBSURFACE CONDITIONS DIFFER FROM THOSE INDICATED ON THIS PLAN.
- ALL UNDERGROUND UTILITIES SHOWN ARE APPROXIMATE. CONTRACTOR SHALL NOTIFY DIG SAFE AT LEAST 72 HOURS PRIOR TO COMMENCEMENT OF WORK.
- THE PROPOSED WORK MAY FALL UNDER THE JURISDICTION OF THE WETLANDS PROTECTION ACT. CONTRACTOR AND/OR OWNER IS RESPONSIBLE TO OBTAIN ALL REQUIRED PERMITS PRIOR TO CONSTRUCTION.
- ALL PROPOSED WORK SHALL BE IN COMPLIANCE WITH MASSACHUSETTS PLUMBING, BUILDING, AND FIRE CODE REQUIREMENTS. LOW VOLUME PLUMBING FIXTURES ARE TO BE USED. NO GARBAGE DISPOSALS ARE ALLOWED. NO BACKWASH OF WATER PURIFICATION OR FILTRATION DEVICES SHALL DISCHARGE INTO THE PROPOSED SYSTEM.
- ALL DISTURBED AREAS ARE TO BE SEEDED AND MULCHED.
- CONTRACTOR SHALL TRANSFER BENCHMARK TO A PERMANENT SUITABLE LOCATION AWAY FROM POSSIBLE DISTURBANCE UPON COMMENCEMENT OF CONSTRUCTION.
- PROPERTY LINES AS SHOWN WERE ESTABLISHED FROM AVAILABLE MAPS AND MONUMENTATION FOUND IN THE FIELD AND ARE REPRESENTED AS APPROXIMATE ONLY.
- TOPOGRAPHIC SURVEY PERFORMED BY WHITE ENGINEERING, INC. ON AUGUST 19 & 22, 2022
- WETLAND DELINEATION PERFORMED BY WHITE ENGINEERING, INC. ON AUGUST 19, 2022

LEGEND

- - - - - 98' - - - - - EXISTING CONTOURS
- - - - - APPROXIMATE PROPERTY LINE
- - - - - PROPERTY LINE SETBACKS
- - - - - LIMIT OF BORDERING VEGETATED WETLAND
- - - - - EDGE OF TREELINE(CANOPY)
- - - - - EXISTING GRAVEL ROAD
- - - - - EDGE OF PAVED ROAD
- - - - - EXISTING STRUCTURES
- - - - - PROPOSED STRUCTURES
- - - - - TOP OF BANK
- - - - - MEAN HIGH WATERLINE
- - - - - FENCE
- - - - - 100' BUFFER ZONE FROM BORDERING VEGETATED WETLAND
- - - - - SETBACKS FROM MHWL/BANK
- - - - - APPROXIMATE LOCATION OF EXISTING SEPTIC LINE
- - - - - PROPOSED SILT FENCE WITH STRAW WATTLE
- W - - - - - EXISTING WELL
- IP - - - - - IRON PIPE
- ▲ - - - - - WETLAND FLAG
- - - - - - BORDERING VEGETATED WETLAND
- ▲ - - - - - MEAN HIGH WATERLINE FLAG
- - - - - - DECIDUOUS TREE
- ★ - - - - - CONIFEROUS TREE

CONSTRUCTION NOTES:

- EROSION CONTROL SILTFENCE TO BE INSTALLED AND MAINTAINED BY CONTRACTOR PRIOR TO THE START OF WORK.
- EROSION CONTROL SILTFENCE TO REMAIN IN PLACE UNTIL SITE HAS STABILIZED AND VEGETATION HAS BECOME ESTABLISHED.
- ALL DISTURBED AREAS ARE TO BE REGRADED, SEEDING AND MULCHED AT THE COMPLETION OF WORK IN THAT AREA.
- ALL MATERIALS AND EQUIPMENT ARE TO BE STORED WITHIN THE LIMITS OF THE SILTFENCE.
- SILTFENCE TO SERVE AS THE LIMIT OF WORK AREA.
- NO EQUIPMENT IS TO BE FUELED OR FUEL STORED WITHIN 100'-FT. OF RESOURCE AREA WITHOUT PRIOR CONSENT FROM CONSERVATION COMMISSION.
- ALL WORK SHALL BE COMPLETED IN ACCORDANCE WITH THE MASSACHUSETTS WETLANDS PROTECTION ACT AND ALL APPLICABLE STATE AND LOCAL BY-LAWS.
- ALL MATERIALS TO BE STOCKPILED ON SITE OVERNIGHT SHALL BE TARPED OR COVERED BY OTHER APPROVED METHOD.



MADEP FILE # WE 296-0538

SITE IMPROVEMENT PLAN
for
JACOB & KATIE SILVERMAN

104 INTERLAKEN ROAD TAX MAP #205 LOT #15 STOCKBRIDGE, MA

NO.	DESCRIPTION	BY	DATE
3	ADDED SCREEN PORCH AND PATIO IN PLACE OF PATIO	CJM	03/06/2024
2	ADDED 75% COVERAGE AREA PER LPOD FOR PLANNING BOARD	SDB	3/23/2023
1	ADDED ADDITIONAL PLANTINGS AND DRAINAGE	RMJ	2/24/2023

WHITE ENGINEERING INC.
CIVIL & ENVIRONMENTAL
55 SOUTH MERRIAM STREET, PITTSFIELD, MA 01201
PHONE: (413) 443-8011 WEB: WHITEENG.COM FAX: (413) 443-8012
LICENSED IN CONNECTICUT, MASSACHUSETTS, NEW YORK AND VERMONT

DATE: JANUARY 31, 2023 DRN: RMJ APVD: BMW DWS NO: 22-05-01C
DSGN: BMW/SDB CHD: BMW SCALE: AS NOTED SHEET 1 OF 1